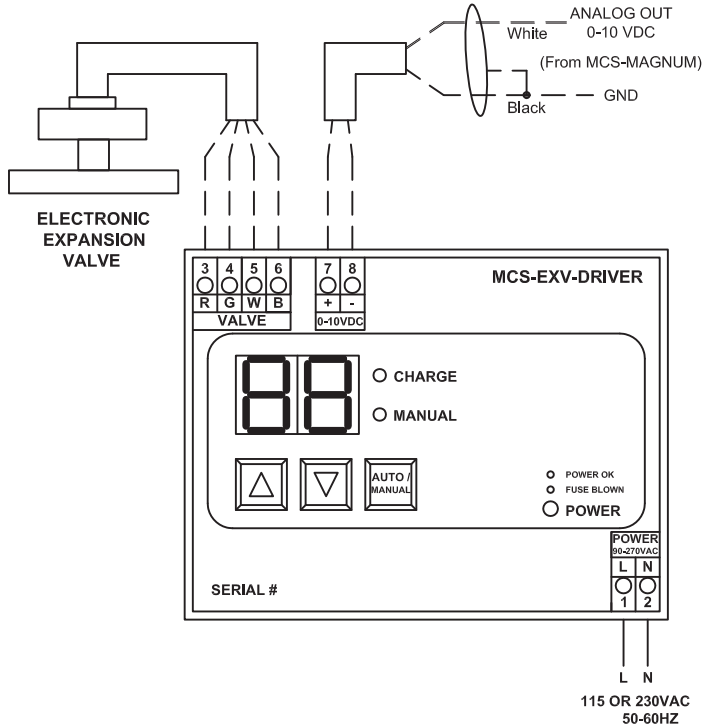


MCS-EXV-DRIVER -115/230

Electronic Expansion Valve Interface

Wiring Diagram

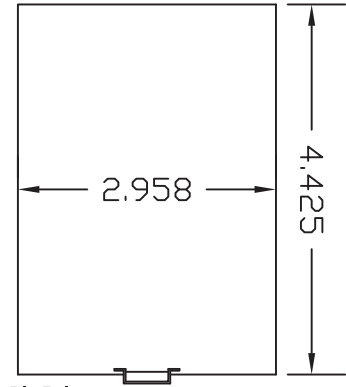
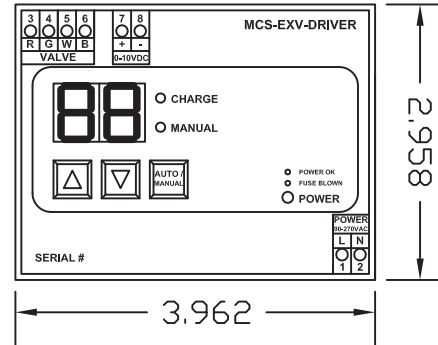


Connection Numbering	ALCO EX	SPORPLAN SEI-SER-SEH	DANFOSS ETS	CAREL
Refer to the Manufacturer's Datasheet of the Valve for Verification of Wiring				
3	Black	Red	Red	Green
4	White	Green	Green	Brown
5	Brown	White	White	White
6	Blue	Black	Black	Yellow

CHECKING VALVE TYPE - SEE BACK

Top

Side



Mounts to Din Rail

5580 Enterprise Pkwy, Fort Myers, FL 33905 USA
Phone: (239) 694 0089 - Fax: (239) 694 0031
www.mcscontrols.com - support@mcscontrols.com

MCS-EXV-DRIVER Wiring Diagram (2017-04-20).dwg



HOW TO CHECK VALVE TYPE

When in Auto mode press three keys, UP , DOWN and AUTO/MANUAL simultaneously, this will display the valve type.

SEE CHART BELOW FOR VALVE TYPE

EXAMPLE

Expansion Valve Selection Identifier Screen

S5 - Valve Type = Sporlan S5

Valve Code	# of Steps	EXV TYPE
A1	750	Alco EX4-EX5-EX6
A2	1660	Alco EX7
A3	2600	Alco EX8
CL	500	CAREL E2V, E3V, E4V, E5V, E6V, E7V
D1	2625	Danfoss ETS-12/25/50
D2	3530	Danfoss ETS-100
D3	3810	Danfoss ETS-250/400
S1	1596	Sporlan SEI 0.5 to 11
S2	1596	Sporlan SER 1.5-20 (AA,A,B,C,D,E)
S3	3193	Sporlan SEI 30; SDR -3, SDR-3x
S4	2500	Sporlan SER-AA-A, B,C,D Sporlan SERI-F,G,J,K,L, CDS -2, -4, -7
S5	6388	Sporlan SEI-50, SEH (I)-100, -175, -400; CDS -9, -16, -17; SDR -4
T1	1596	Sporlan SEI 0.5 to 11- two valves wired to one MCS-EXV-DRIVER
T2	1596	Sporlan SER 1.5-20 (AA,A,B,C,D,E)- two valves wired to one MCS-EXV-DRIVER
T3	3193	Sporlan SEI 30; SDR -3, SDR-3x- two valves wired to one MCS-EXV-DRIVER
T4	2500	Sporlan SER-AA-A, B,C,D Sporlan SERI-F,G,J,K,L CDS -2, -4, -7 - two valves wired to one MCS-EXV-DRIVER
T5	6388	Sporlan SEI-50, SEH (I)-100, -175, -400; CDS -9, -16, -17,; SDR -4 - two valves wired to one MCS-EXV-DRIVER